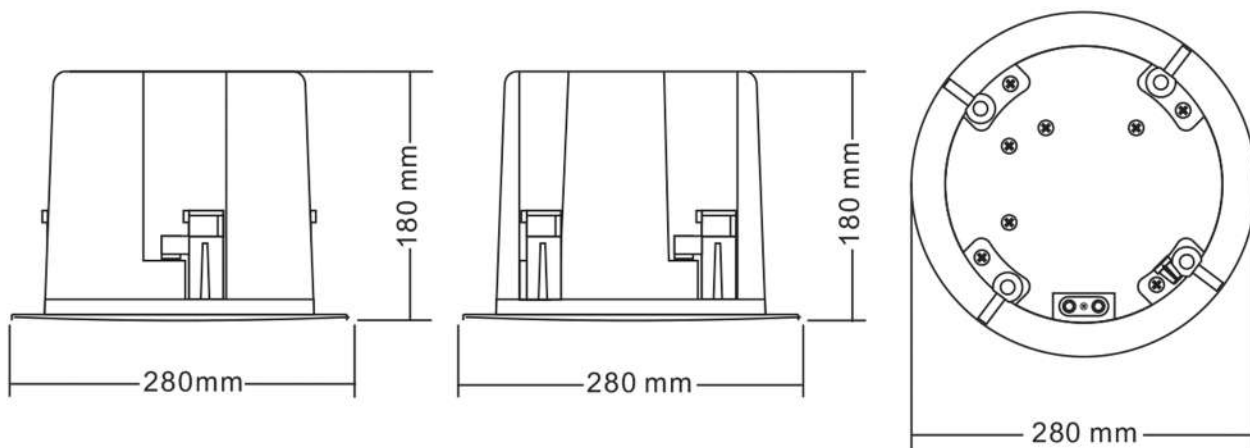




FEATURES



Model	MCS-860VS
Power@Taps100V	3.8W/7.5W/15W/30W/60W
Power@Taps70V	1.9W/3.8W/7.5W/15W/30W
Input	70V/100V/8 Ω
Impedance	COM/2.6K Ω /1.3K Ω /670 Ω /330 Ω /165 Ω
SPL(1W/1M)	90dB
Freq Response	60-2KHz
Cutout Size	250 mm
Dimensions	280×180 mm
Weight	3.5Kg